

iDROSET Series CF

Static balancing valve

Technical Data Sheet



Description

Series CF is our brand-new static balancing valve, part of our **iDROSET family** of devices designed to calibrate and regulate the water flow in heating and cooling systems and domestic hot or cold water distribution systems. Featuring patented, accurate technology, the user-friendly iDROSET delivers precise calibration that's straightforward to set and real-time information that's easy to interpret without any special tools. These valves can be used as an instant diagnostic tool for monitoring the system performance according to the flow rate.

CF

Balancing and control valve with threaded connections for heating and cooling distribution systems. Shut-off function. No additional measurement tools required. Brass and composite body. Fluids: water with glycol up to 50%. PN: 16 bar. Operating temperature range: from -10 to 110°C.



Type	Part No.	DN	Kvs	Flow rate (l/h)	Weight (kg)
CF	PAP-S015	1/2"	1,7	35/700	1,0
CF	PAP-S020	3/4"	1,7	35/700	1,0
CF	PAP-M025	1"	4,4	50/1600	1,1
CF	PAP-L032	1 1/4"	14	250/6000	2,6
CF	PAP-L040	1 1/2"	14	250/6000	2,6
CF	PAPXL050	2"	25	400/10000	5,1

Technical features

Nominal Pressure	PN16
Operating Temperature	-10÷110°C
FF threaded connections	ISO 228
Balancing turndown ratio	25:1

Materials

Central Body	Polyamide with glass fiber
Upper and bottom cap	Brass
Hand wheel	Polyamide with glass fiber
Spring	Stainless Steel
O-ring	EPDM 70 peroxide

Application

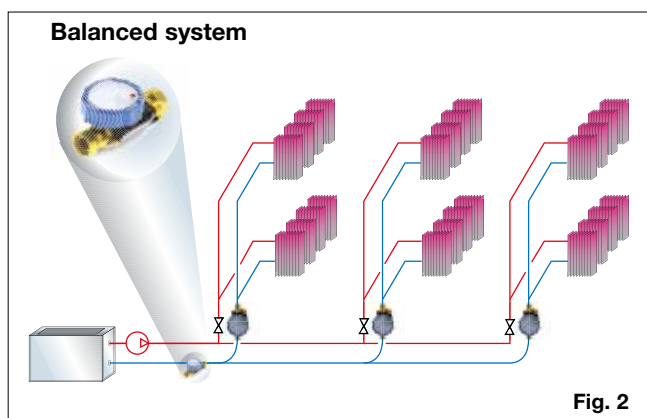
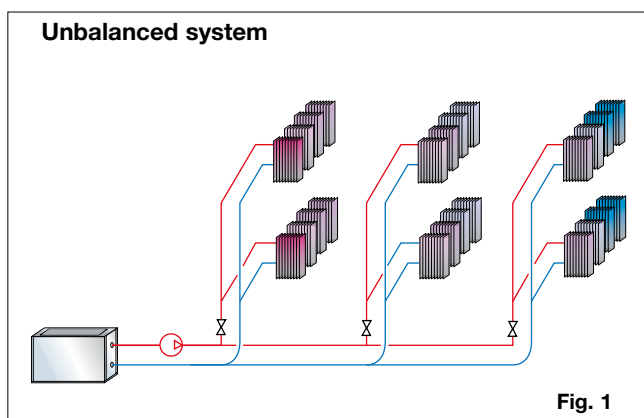
All distribution networks, even the simplest, are made up of different branches, whose flow rates need to be defined at the design stage and must then correspond to the values calculated in the course of operation.

In an unbalanced system (Fig.1), the flow rate to the circuits nearest the pump is too high, while the flow rate to the circuits furthest from the pump is too low. The resulting temperature differences between different rooms not only detract from comfort for the user but also increase the system's energy consumption.

The use of thermostatic or control valves in this situation can cause noise.

The installation and correct setting of **Series CF** balancing (Fig. 2) on boiler room manifolds, at the bottom of risers and upstream of heat production and exchange units or zones ensures correct flow distribution, thus offering immediate benefits in terms of comfort and energy saving, as well as optimising the efficiency of the control system.

Series CF valves also act as a shut-off and are particularly recommended for use in heating, cooling and drinking water distribution systems.



Operation

The **Series CF** features innovative technology that allows adjusting and reading the flow rate on board without any kind of external device. The operation is very simple:

1. Open the valve completely anti-clockwise.
2. After commencing installation, adjust the desired flow rate in lit/h (A) according to the project data. Turn the wheel anticlockwise to increase the flow and clockwise to decrease the flow.

After this operation, you can read the real flow rate using the valve dial. Simply tighten the screw to lock the wheel into position.



Sizing

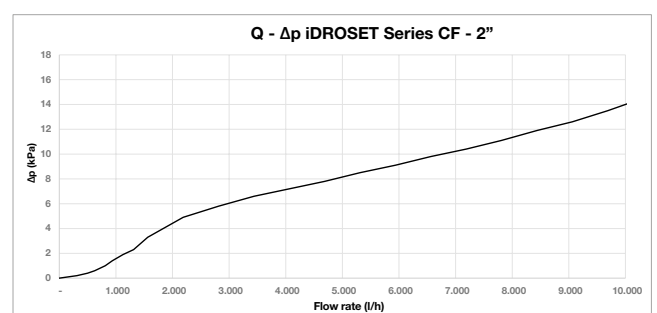
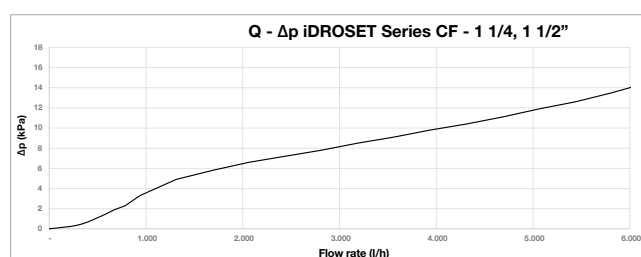
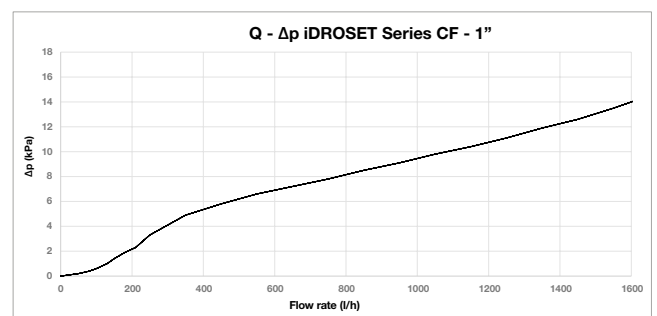
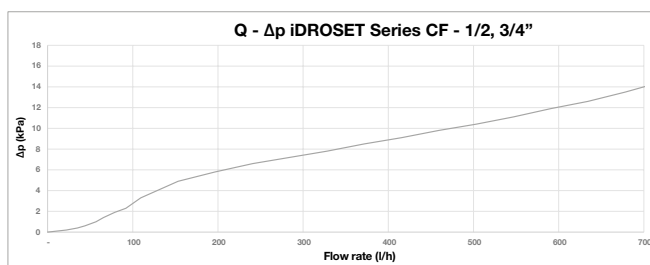
To choose the right size you only need to know the desired flow rate. That value has to be inside the range.

Part n°	DN	Minimum Flow rate (l/h)	Maximum Flow rate (l/h)
PAP-S015	1/2"	35	700
PAP-S020	3/4"	35	700
PAP-M025	1"	50	1600
PAP-L032	1 1/4"	250	6000
PAP-L040	1 1/2"	250	6000
PAPXL050	2"	400	10000

The balancing turndown ratio is the largest in the market (up to 25:1) thanks to the new technology present in the device. This means that each diameter has a wide range of flow rate, allowing the use of less different diameters for a wide range of flow rates.

Charts

In the next nomograms, you can calculate the drop pressure through the valve depending on the flow rate for each size:



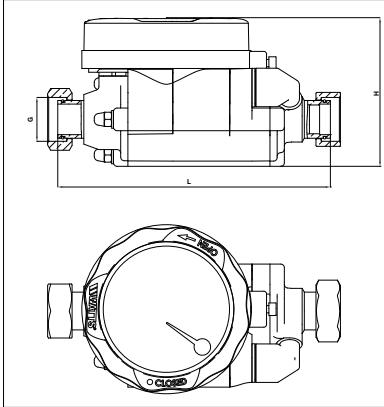
Installation

The valve can be installed in any position in relation to the pipe, provided it complies with the direction of fluid flow shown by the arrow cast over the valve body. Pay attention to the position to allow access to the wheel and the dial to be read. In the package, you can find the gaskets for the free nuts. There is a sticker to cover the block screw to prevent accidental release.

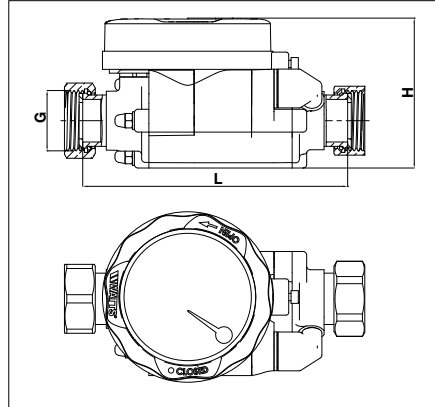
Included in the box is labelling to enable the flow rate, project name and other key data to be noted and attached to the valve.

Overall dimensions (mm)

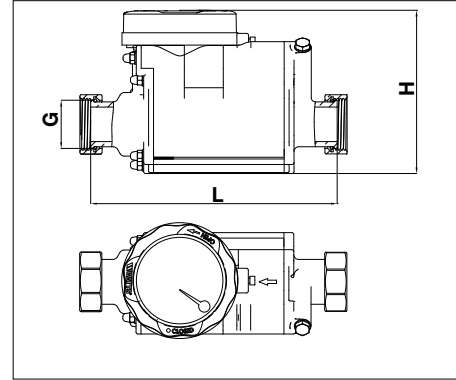
iDROSET Series CF - 1/2, 3/4"



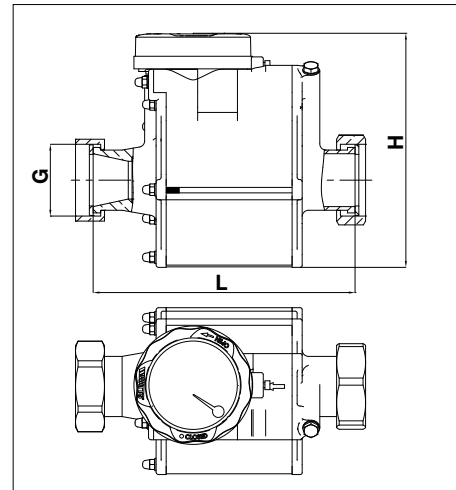
iDROSET Series CF - 1"



iDROSET Series CF - 1 1/4, 1 1/2"



iDROSET Series CF - 2"



G	H	L
1/2"	83	145
3/4"	83	152
1"	83	146
1 1/4"	132,5	200
1 1/2"	132,5	198
2"	186	208

Specification text

Series CF

Series CF static balancing and control valve - WATTS brand - with free nut connection from DN15 to DN50 for heating, cooling and domestic water distribution systems. New patented technology that allows instant setting and reading of the flow rate without special tools. The valve body is manufactured from brass and composite with an ergonomic shape that allows the valve to be deployed in a range of ways. A multi-functional hand wheel sets the flow rate. Shut off function. Nominal pressure of 16 Bar. Operating temperature range from -10°C to 110°C. Balancing turn down ratio 25:1. Fluids: water with glycol up to 50%.

The descriptions and photographs contained in this product specification sheet are supplied by way of information only and are not binding.

Watts Industries reserves the right to carry out any technical and design improvements to its products without prior notice. Warranty: All sales and contracts for sale are expressly conditioned on the buyer's assent to Watts terms and conditions found on its website at www.wattswater.eu. Watts hereby objects to any term, different from or additional to Watts terms, contained in any buyer communication in any form, unless agreed to in a writing signed by an officer of Watts.

WATTS®



Asia Pacific, Middle East and Africa Headquarters
 Address: 23rd, No.500, West Yan'an Road, Shanghai 200050
 TEL: +86(21) 2223 2999
 FAX: +86 (21) 2223 2900
 Service line: 4000708760
watts.com
 Series No. VH02EN2002 © 2020 Watts