

Tempering Valve

25mm

APPLICATION

Extremely high flow rate makes the TV25 suitable for low pressure systems e.g. header tanks, open vented and low head systems. Also suitable for high demand mains pressure systems

FEATURES/BENEFITS

- Forged, high quality, corrosion resistant, DR brass body
- Machined, assembled and 100% tested in NZ
- Extremely high flow rates - Up to 90 litres a minute
- Integral non-returns mean valve is ideal in ring main installations
- No pipe unions, no leaks

SPECIFICATION

- Inlet 25mm, 1" BSP (male)
- Outlet 25mm, 1" BSP (male)
- Length 135mm
- Height 105mm
- Inlet water pressures 20 to 1600 kPa
- Flow rates: TV25 25 L/min at 20kPa inlet pressure
- Outlet temperature adjustable from 35°C to 60°C
- Maximum inlet temperature 99°C
- Stored water temperature must be at least 10°C above the Tempering valve setting and over 60°C (G12)
- Integral hot and cold non return valves
- Operates with unequal water pressure up to 5:1 ratio (cold:hot)

INSTALLATION

- Refer page 31 for installation guide
- Valve must be fitted by a qualified plumber
- Installation must comply with local authority requirements
- Valve may be installed in any orientation
- Flush pipes prior to fitting
- Valve must be protected by a line strainer
- Connections are H (hot inlet), C (cold inlet) and OUT (mixed temperature outlet)
- Do not apply heat near valve during installation - this may damage the mechanism
- Do NOT install valve directly into outlet of cylinder
- 1m MIN copper pipe length from cylinder to tempering valve, THIS IS A MANDATORY REQUIREMENT OF G12

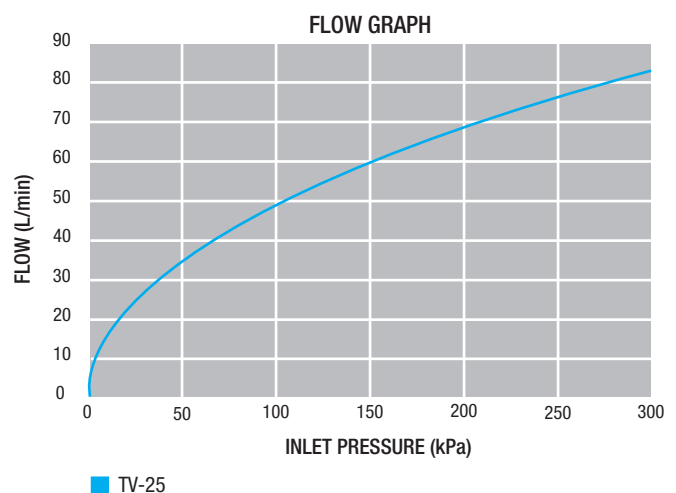
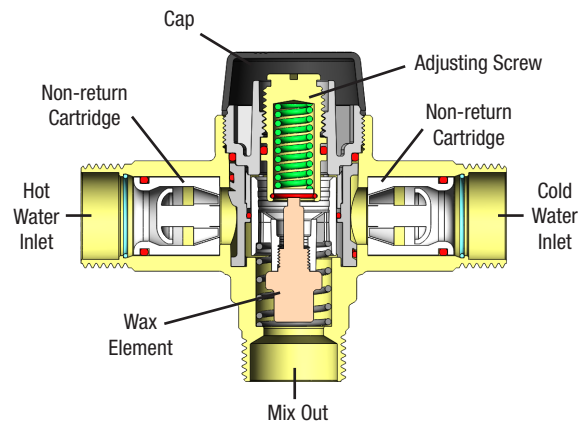
TEMPERATURE ADJUSTMENT

Remove cap. Use screwdriver to adjust to desired temperature. To increase, turn anti-clockwise (H). To decrease, turn clockwise (C). Replace cap. Maximum delivered hot water temperature at any sanitary fixture used for personal hygiene shall not exceed 55°C. For childhood centres, schools, old peoples homes, hospitals and institutions for people with psychiatric or physical disabilities, outlet must be set to max 45°C.

STANDARDS

- Complies with NZ Building Code G12 (2014)
- Complies with NZS 4617
- NZ Patent No. 517764, Aust. Patent No. 2003200856
- RSA. Patent No. 2003/1992

NOTE: All installations must comply with NZBC Clause G12



PRODUCT CODES

TV25 25mm (Non-return on both inlets)

