

# Commercial Tempering Valve 20mm



## APPLICATION

Used in hot water supply systems to mix hot and cold water to a controlled outlet temperature, reducing the risk of exposure to excessively hot water.

## FEATURES/BENEFITS

- Used on high pressure hot water systems
- Valve can be installed in any orientation
- Dual check valves, suitable for ring main applications
- Failsafe shutdown in the event of failure of hot and cold supplies
- High quality DR brass body
- 100% tested
- Complies with NZ building code (G12)

## SPECIFICATIONS

- Nominal size 20mm
- Maximum static supply pressure 1400 kPa
- Maximum dynamic supply pressure 500 kPa
- Factory set at 50°C, can be adjusted between 35°C and 60°C
- Connections 20mm male, ¾" BSP
- Hot and cold check valves for ring main installations

## INSTALLATION

- Valve must be fitted by a qualified plumber
- Flush lines before installation
- Valve may be fitted in any orientation
- Valve must be protected by a line strainer
- Connections are H (hot inlet), C (cold inlet) and OUT (tempered water delivery)
- Do not apply heat near valve during installation
- Do not install valve directly into outlet of cylinder
- 1m MINIMUM copper pipe from cylinder to tempering valve is a requirement of G12

## TEMPERATURE ADJUSTMENTS

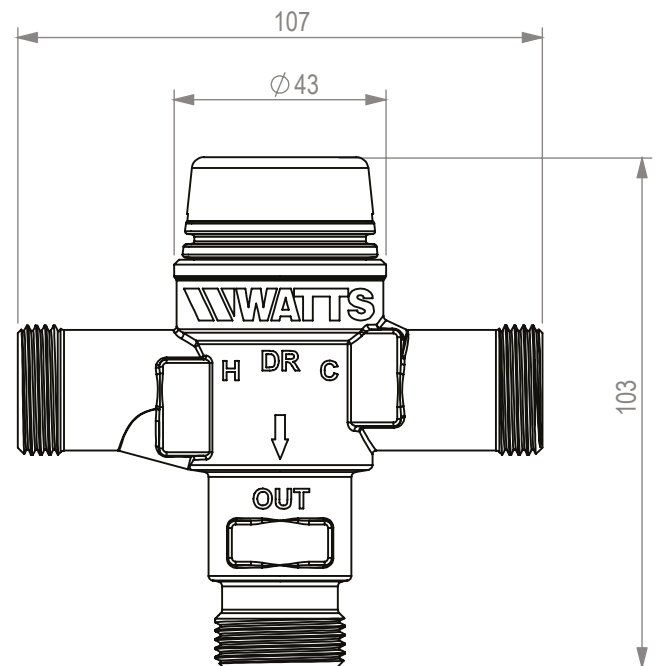
- Remove cap, use a screwdriver to adjust to the desired temperature. To increase, turn anti-clockwise.
- To decrease, turn clockwise. Check outlet temperature required by local authorities with a calibrated thermometer.

## STANDARDS

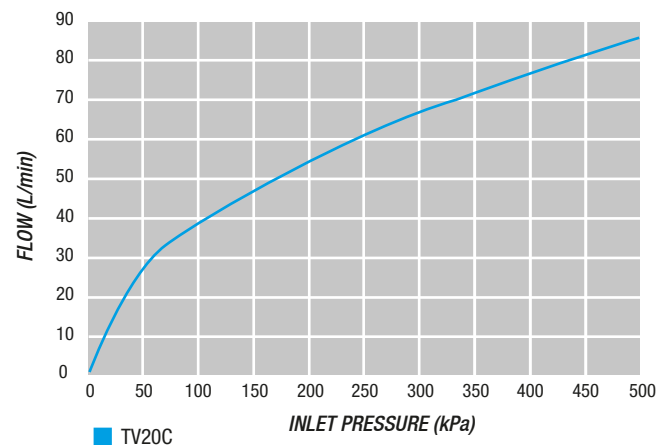
- Complies with NZBC Clause G12 (2014)
- Complies with NZS 4617: 1989

## PRODUCT CODES

**TV20C** 20mm Commercial Tempering Valve  
(Non-return on both inlets)



FLOW GRAPH



**NOTE:** All installations must comply with NZBC Clause G12