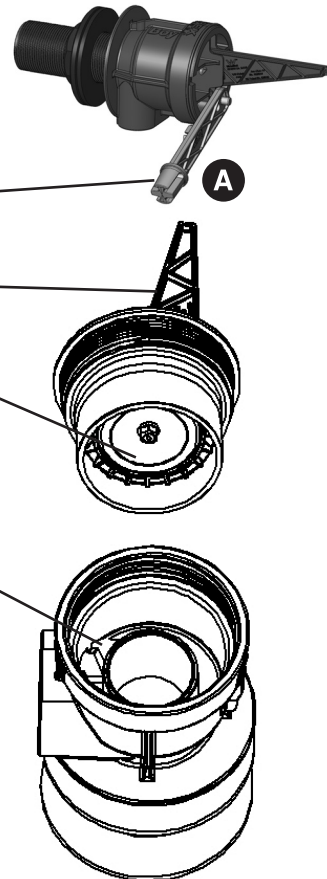


# APEX VALVES BigBoy®

Every 6 months check that the valve functions correctly. Gently push the lever down for 5 seconds and the valve will open. Release the lever. When the weights are submerged, the valve should close (5 seconds after lever is raised). If the valve fails to shut off completely, it may be necessary to clean or repair it.

## Cleaning Instructions

1. Unscrew the cap using the Trough Mate tool supplied with the valve (A)
2. Check that the lever operates freely\*
3. Clean the diaphragm and inspect for wear or damage\*
4. Clean and inspect the seat\*\*
5. Screw the cap back onto the valve body
6. Tighten with the Trough Mate tool, aligning the lever with the outlet



\*If the valve requires new parts, obtain and fit a repair kit (RKBB)

\*\*If seat is damaged, valve may need to be replaced

# APEX VALVES

# BigBoy®

## Installation Options

### For Dual Level installation (PUMP)

1. Unwind the weights so they hang freely.
2. Adjust the cord length to give the minimum desired water level.
3. Bottom weight must NOT be below tank outlet.
4. Adjust top (small) weight for maximum water level and clip the cord into BOTH cleats.

### For Single Level installation

1. Unwind desired cord length.
2. Clip weights together.
3. Pull the cord tight and clip into cleats.

### Specifications

**Working Pressure:** 15-1200 kPa (2 psi-175psi)  
**Minimum Temperature:** 1° C  
**Maximum Temperature:** 60° C

### Installation Instructions

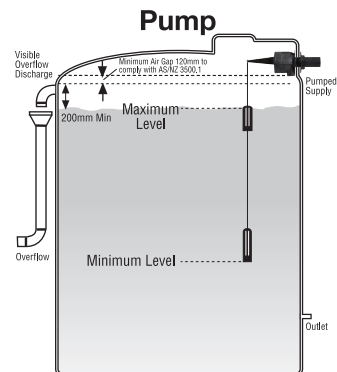
#### IMPORTANT

- Flush lines before installation.
- With an overflow, the top of the weight(s) needs to be at least 200mm below the bottom of the overflow.
- Without an overflow, the cord can be any length, i.e weight(s) can be touching the lever - see Tank (No overflow)
- Overflow discharge must be visible.
- Pump must have "dry run" protection.
- Water loss is not covered by the manufacturers warranty.
- The cord must hang freely.
- Valve must be installed horizontally.
- Inlet pipe must be clean.
- Ensure the washer is fitted on the inside of the tank.
- Use thread tape and do not over tighten.
- Not to be used in dual purpose tanks used for storm water detention
- Overflow and air gap to comply with local standards (air gap of 120 mm complies with AS/NZS 3500.1).

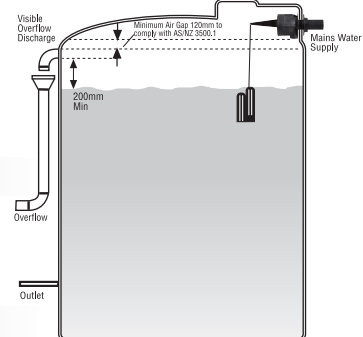
**Valve installation must be in accordance with local bylaws and council regulations.**

**The BigBoy valve MUST NOT be modified or fitted to tanks used partially for stormwater detention.**

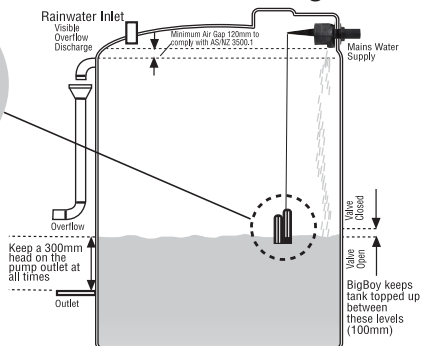
(Detention is the slow release of water run-off to the stormwater drain during and after rainfall events)



### Mains/Gravity



### Rain Harvesting



### No Overflow

