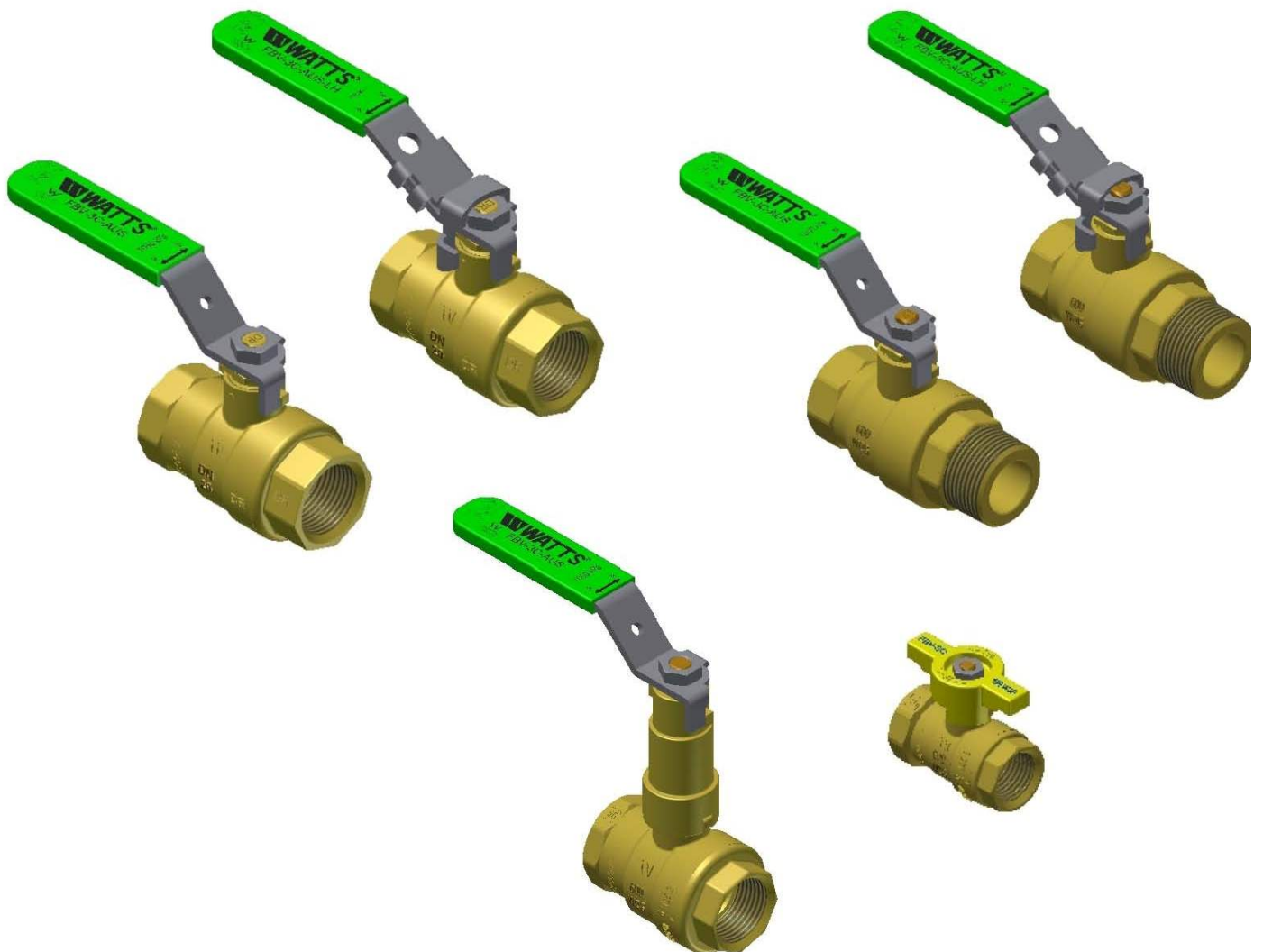


FBV-3C-AUS BALL VALVE



Introduction.....	02
2-Piece, Full Port, Brass Ball Valves (FBV-3C-AUS).....	03
2-Piece, Full Port, Brass Ball Valves (FBV-3C-AUS-LH).....	05
2-Piece, Full Port, Brass Ball Valves (FBV-3CMF-AUS).....	07
2-Piece, Full Port, Brass Ball Valves (FBV-3CMF-AUS-LH).....	09
2-Piece, Full Port, Brass Ball Valves (FBV-3C-AUS-TH).....	11
2-Piece, Full Port, Brass Ball Valves (FBV-3C-AUS-EX).....	13

INTRODUCTION

Series FBV-3C-AUS, Full Port, Brass Ball Valves are used in commercial and industrial applications for a full range of liquids and gases. They feature a bottom-loaded blowout-proof stem, virgin PTFE seats, thrust washer, and adjustable stem packing gland, stem packing nut, chrome plated brass ball, brass adapter, and steel handle.

MODEL

FBV-3C-AUS	15mm-80mm with threaded connections
FBV-3C-AUS-LH	15mm-80mm with threaded connections and locking handle
FBV-3CMF-AUS	15mm-50mm with male and female threaded connections
FBV-3CMF-AUS-LH	15mm-50mm with male and female threaded connections and locking handle
FBV-3CMF-AUS-TH	15mm-25mm with threaded connections and T-Handle
FBV-3C-AUS-EX	15mm-50mm with threaded connections and Extended Spindle

RATINGS

For 15mm to 50mm—41Bar (600psi) WOG , non-shock , 10.3 Bar (150psi) WSP.

For 65mm to 80mm—27.5Bar (400psi) WOG , non-shock , 8.6 Bar (125psi)WSP.

APPROVALS

All models in this series are Watermarked and Gas mark approved

Watermark — Certificate of Conformity — Level 1 Evaluated to ATS 5200.012-2005

GSCS—Gas Safety Certification Scheme AS 4617-2004



2-Piece, Full Port, Brass Ball Valves (FBV-3C-AUS)

The FBV-3C-AUS is mainly used to cut off or connect medium in the pipe and can also be used for flow adjustment and control.

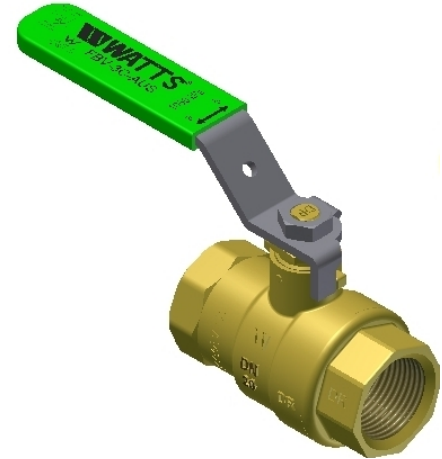
◆ **Application and Features:**

Applications:

Building services, municipal waterworks and light industrial.

Product Features:

- Watermark approved threaded valves 1/2"~3"
- Gas Mark approved threaded valves 1/2"~3"
- Fluorocarbon elastomeric stem O-ring prevents stem leaks.
- Adjustable stem packing gland.
- PTFE stem packing seal, thrust washer, and seats.
- Bottom loaded blowout proof stem.
- Machined chrome plated brass ball.
- Valves comply to MSS-SP-110 standard.



◆ **Technical Parameters:**

Nominal Diameter: 1/2"~3"

Pressure Ratings:

1/2"~2"(15-50mm) 41bar (600psi) WOG ,Non-shock; 10.3bar(150PSI) WSP

2-1/2"~3" (65-80mm) 27.5bar (400psi) WOG, Non-shock; 8.6bar (125PSI) WSP

Temperature Range: -40°C ~204°C

Test Standard: API-598

◆ **Working Principles:**

Use the lever to drive the stem to rotate and the stem drives the ball to open and close within 0°~90°

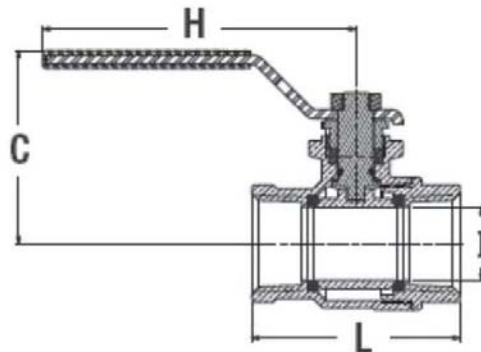
◆ **Installation Dimensions:**

Connection Dimension: AS 3688

◆ **Component Material:**

Body	Adapter	Stem	Ball	Handle Assembly	Seat
Forged Brass	Forged Brass	Brass	Plated Brass	With Vinyl insulator	Virgin PTFE

◆ Size and Dimension:



FBV-3C-AUS

SIZE(DN)		DIMENSIONS								WEIGHT	
<i>in.</i>	<i>mm</i>	<i>C</i>		<i>H</i>		<i>I</i>		<i>L</i>		<i>lbs.</i>	<i>kg</i>
		<i>in.</i>	<i>mm</i>	<i>in.</i>	<i>mm</i>	<i>in.</i>	<i>mm</i>	<i>in.</i>	<i>mm</i>		
1/2	15	1.82	46.2	3.42	86.9	0.50	12.8	2.26	57.4	0.485	0.22
3/4	20	2.28	57.9	3.97	100.9	0.76	19.2	2.70	68.6	0.882	0.4
1	25	2.64	67.1	4.26	108.2	1.00	25.5	3.23	82.1	1.367	0.62
1 1/4	32	2.83	71.8	4.26	108.2	1.26	31.9	3.33	84.5	2.094	0.95
1 1/2	40	3.16	80.2	5.31	134.9	1.50	38	4.03	102.3	2.932	1.33
2	50	3.52	89.4	6.03	153.2	2.00	50.9	4.94	125.5	4.189	1.9
2 1/2	65	4.07	103.5	7.39	187.8	2.50	63.6	5.93	150.6	8.488	3.85
3	80	4.49	114.1	7.74	196.6	3.00	76.3	6.81	173.1	12.324	5.59

2-Piece, Full Port, Brass Ball Valves (FBV-3C-AUS-LH)

The FBV-3C-AUS-LH is mainly used to cut off or connect medium in the pipe and can also be used for flow adjustment and control.

◆ **Application and Features:**

Applications:

Building services, municipal waterworks and light industrial.

Product Features:

- Watermark approved threaded valves 1/2"~3"
- Gas Mark approved threaded valves 1/2"~3"
- Fluorocarbon elastomeric stem O-ring prevents stem leaks.
- Adjustable stem packing gland.
- PTFE stem packing seal, thrust washer, and seats.
- Bottom loaded blowout proof stem.
- Machined chrome plated brass ball.
- Valves comply to MSS-SP-110 standard.



◆ **Technical Parameters:**

Nominal Diameter: 1/2"~3"

Pressure Ratings:

1/2"~2"(15-50mm) 41bar(600psi) WOG ,Non-shock; 10.3bar (150PSI) WSP

2-1/2"~3" (65-80mm) 27.5bar (400psi) WOG, Non-shock; 8.6bar (125PSI) WSP

Temperature Range: -40°C ~204°C

Test Standard: API-598

◆ **Working Principles:**

Use the lever to drive the stem to rotate and the stem drives the ball to open and close within 0°~90°

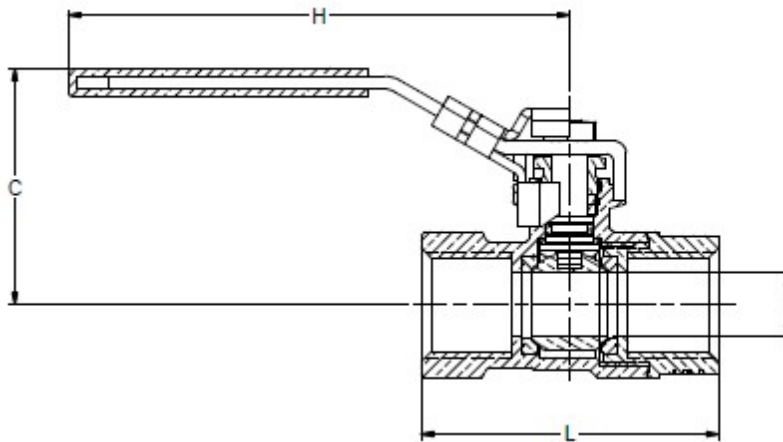
◆ **Installation Dimensions:**

Connection Dimension: AS 3688

◆ **Component Material:**

Body	Adapter	Stem	Ball	Handle Assembly	Seat
Forged Brass	Forged Brass	Brass	Plated Brass	With Vinyl insulator	Virgin PTFE

◆ Size and Dimension:



FBV-3C-AUS-LH

SIZE(DN)		DIMENSIONS								WEIGHT	
<i>in.</i>	<i>mm</i>	C		H		I		L		<i>lbs.</i>	<i>kg</i>
		<i>in.</i>	<i>mm</i>	<i>in.</i>	<i>mm</i>	<i>in.</i>	<i>mm</i>	<i>in.</i>	<i>mm</i>		
1/2	15	1.82	46.2	3.42	86.9	0.50	12.8	2.26	57.4	0.485	0.22
3/4	20	2.28	57.9	3.97	100.9	0.76	19.2	2.70	68.6	0.882	0.4
1	25	2.64	67.1	4.26	108.2	1.00	25.5	3.23	82.1	1.367	0.62
1 1/4	32	2.83	71.8	4.26	108.2	1.26	31.9	3.33	84.5	2.094	0.95
1 1/2	40	3.16	80.2	5.31	134.9	1.50	38	4.03	102.3	2.932	1.33
2	50	3.52	89.4	6.03	153.2	2.00	50.9	4.94	125.5	4.189	1.9
2 1/2	65	4.07	103.5	7.39	187.8	2.50	63.6	5.93	150.6	8.488	3.85
3	80	4.49	114.1	7.74	196.6	3.00	76.3	6.81	173.1	12.324	5.59

2-Piece, Full Port, Brass Ball Valves (FBV-3CMF-AUS)

The FBV-3CMF-AUS is mainly used to cut off or connect medium in the pipe and can also be used for flow adjustment and control.

◆ **Application and Features:**

Applications:

Building services, municipal waterworks and light industrial.

Product Features:

- Watermark approved threaded valves 1/2"~2"
- Gas Mark approved threaded valves 1/2"~2"
- Fluorocarbon elastomeric stem O-ring prevents stem leaks.
- Adjustable stem packing gland.
- PTFE stem packing seal, thrust washer, and seats.
- Bottom loaded blowout proof stem.
- Machined chrome plated brass ball.
- Valves comply to MSS-SP-110 standard.



◆ **Technical Parameters:**

Nominal Diameter: 1/2"~2"

Pressure Ratings:

1/2"~2"(15-50mm) 41bar (600psi) WOG ,Non-shock; 10.3bar(150psi) WSP

Temperature Range: -40°C ~204°C

Test Standard: API-598

◆ **Working Principles:**

Use the lever to drive the stem to rotate and the stem drives the ball to open and close within 0°~90°

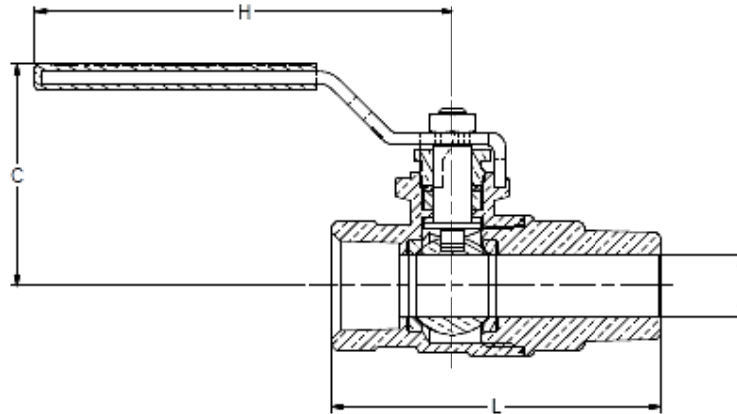
◆ **Installation Dimensions:**

Connection Dimension: AS 3688

◆ **Component Material:**

Body	Adapter	Stem	Ball	Handle Assembly	Seat
Forged Brass	Forged Brass	Brass	Plated Brass	With Vinyl insulator	Virgin PTFE

◆ Size and Dimension:



FBV-3CMF-AUS

SIZE(DN)		DIMENSIONS								WEIGHT	
<i>in.</i>	<i>mm</i>	C		H		I		L		<i>lbs.</i>	<i>kg</i>
		<i>in.</i>	<i>mm</i>	<i>in.</i>	<i>mm</i>	<i>in.</i>	<i>mm</i>	<i>in.</i>	<i>mm</i>		
1/2	15	1.82	46.2	3.42	86.9	0.50	12.8	2.68	68.1	0.529	0.24
3/4	20	2.28	57.9	3.97	100.9	0.76	19.2	3.10	78.7	0.904	0.41
1	25	2.64	67.1	4.26	108.2	1.00	25.5	3.72	94.4	1.499	0.68
1 1/4	32	2.83	71.8	4.26	108.2	1.26	31.9	4.15	105.3	2.271	1.03
1 1/2	40	3.16	80.2	5.31	134.9	1.50	38	4.44	112.9	3.108	1.41
2	50	3.52	89.4	6.03	153.2	2.00	50.9	5.27	133.8	4.277	1.94

2-Piece, Full Port, Brass Ball Valves (FBV-3CMF-AUS-LH)

The FBV-3CMF-AUS-LH is mainly used to cut off or connect medium in the pipe and can also be used for flow adjustment and control.

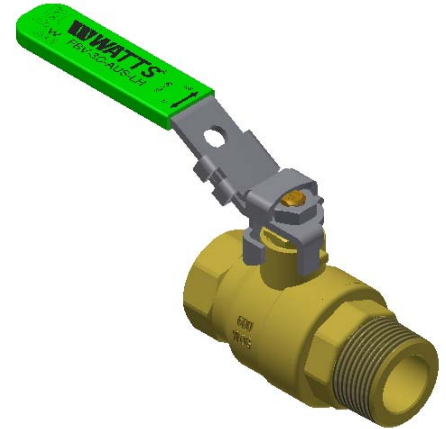
◆ **Application and Features:**

Applications:

Building services, municipal waterworks and light industrial.

Product Features:

- Watermark approved threaded valves 1/2"~2"
- Gas Mark approved threaded valves 1/2"~2"
- Fluorocarbon elastomeric stem O-ring prevents stem leaks.
- Adjustable stem packing gland.
- PTFE stem packing seal, thrust washer, and seats.
- Bottom loaded blowout proof stem.
- Machined chrome plated brass ball.
- Valves comply to MSS-SP-110 standard.



◆ **Technical Parameters:**

- Nominal Diameter: 1/2"~2"
- Pressure Ratings:
1/2"~2"(15-50mm) 41bar (600psi) WOG ,Non-shock; 10.3bar (150psi) WSP
- Temperature Range: -40°C ~204°C
- Test Standard: API-598

◆ **Working Principles:**

Use the lever to drive the stem to rotate and the stem drives the ball to open and close within 0°~90°

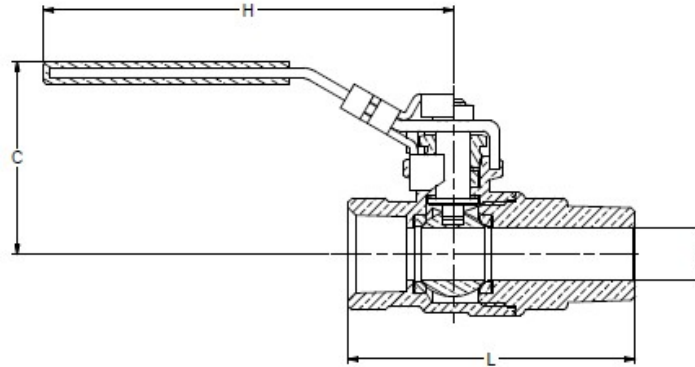
◆ **Installation Dimensions:**

Connection Dimension: AS 3688

◆ **Component Material:**

Body	Adapter	Stem	Ball	Handle Assembly	Seat
Forged Brass	Forged Brass	Brass	Plated Brass	With Vinyl insulator	Virgin PTFE

◆ Size and Dimension:



FBV-3CMF-AUS-LH

SIZE(DN)		DIMENSIONS								WEIGHT	
<i>in.</i>	<i>mm</i>	C		H		I		L		<i>lbs.</i>	<i>kg</i>
		<i>in.</i>	<i>mm</i>	<i>in.</i>	<i>mm</i>	<i>in.</i>	<i>mm</i>	<i>in.</i>	<i>mm</i>		
1/2	15	1.82	46.2	3.42	86.9	0.50	12.8	2.68	68.1	0.529	0.24
3/4	20	2.28	57.9	3.97	100.9	0.76	19.2	3.10	78.7	0.904	0.41
1	25	2.64	67.1	4.26	108.2	1.00	25.5	3.72	94.4	1.499	0.68
1 1/4	32	2.83	71.8	4.26	108.2	1.26	31.9	4.15	105.3	2.271	1.03
1 1/2	40	3.16	80.2	5.31	134.9	1.50	38	4.44	112.9	3.108	1.41
2	50	3.52	89.4	6.03	153.2	2.00	50.9	5.27	133.8	4.277	1.94

2-Piece, Full Port, Brass Ball Valves (FBV-3C-AUS-TH)

The FBV-3C-AUS-TH is mainly used to cut off or connect medium in the pipe and can also be used for flow adjustment and control.

◆ **Application and Features:**

Applications:

Building services, municipal waterworks and light industrial.

Product Features:

Watermark approved threaded valves 1/2"~1"

Gas Mark approved threaded valves 1/2"~1"

Fluorocarbon elastomeric stem O-ring prevents stem leaks.

Adjustable stem packing gland.

PTFE stem packing seal, thrust washer, and seats.

Bottom loaded blowout proof stem.

Machined chrome plated brass ball.

Valves comply to MSS-SP-110 standard.



◆ **Technical Parameters:**

Nominal Diameter: 1/2"~1"

Pressure Ratings:

1/2"~1"(15-25mm) 41bar (600psi) WOG ,Non-shock; 10.3bar (150psi) WSP

Temperature Range: -40°C ~204°C

Test Standard: API-598

◆ **Working Principles:**

Use the lever to drive the stem to rotate and the stem drives the ball to open and close within 0°~90°

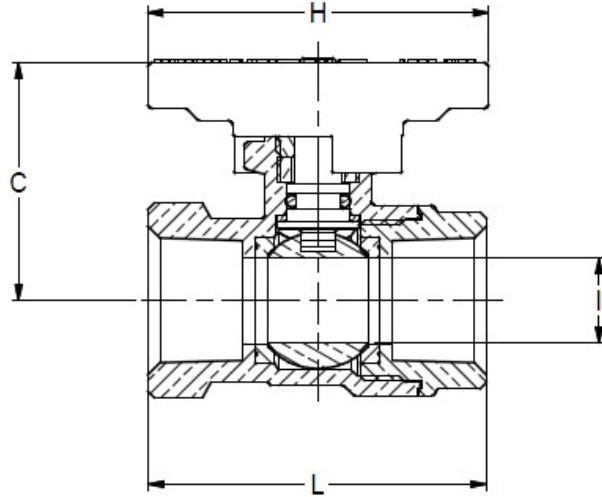
◆ **Installation Dimensions:**

Connection Dimension: AS 3688

◆ **Component Material:**

Body	Adapter	Stem	Ball	Handle	Seat
Forged Brass	Forged Brass	Brass	Plated Brass	Aluminum	Virgin PTFE

◆ Size and Dimension:



FBV-3CAUS-TH

SIZE(DN)		DIMENSIONS								WEIGHT	
<i>in.</i>	<i>mm</i>	C		H		I		L		<i>lbs.</i>	<i>kg</i>
		<i>in.</i>	<i>mm</i>	<i>in.</i>	<i>mm</i>	<i>in.</i>	<i>mm</i>	<i>in.</i>	<i>mm</i>		
1/2	15	1.40	35.5	2.00	50.8	0.50	12.8	2.26	57.4	0.139	0.063
3/4	20	1.73	44	2.32	59	0.76	19.2	2.70	68.6	0.326	0.148
1	25	2.15	54.6	2.76	70	1.00	25.5	3.23	82.1	0.516	0.234

2-Piece, Full Port, Brass Ball Valves (FBV-3C-AUS-EX)

The FBV-3C-AUS-EX is mainly used to cut off or connect medium in the pipe and can also be used for flow adjustment and control.

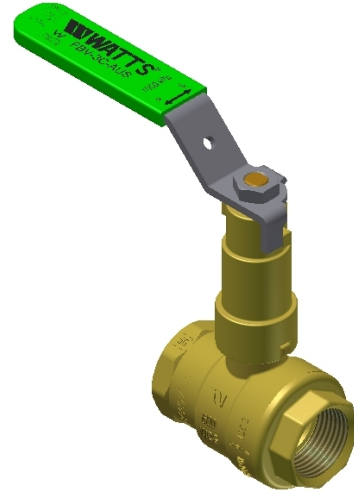
◆ **Application and Features:**

Applications:

Building services, municipal waterworks and light industrial.

Product Features:

- Watermark approved threaded valves 1/2"~2"
- Gas Mark approved threaded valves 1/2"~2"
- Fluorocarbon elastomeric stem O-ring prevents stem leaks.
- Adjustable stem packing gland.
- PTFE stem packing seal, thrust washer, and seats.
- Bottom loaded blowout proof stem.
- Machined chrome plated brass ball.
- Valves comply to MSS-SP-110 standard.



◆ **Technical Parameters:**

- Nominal Diameter: 1/2"~2"
- Pressure Ratings:
1/2"~2"(15-50mm) 41bar (600psi) WOG ,Non-shock; 10.3bar (150psi) WSP
- Temperature Range: -40°C ~204°C
- Test Standard: API-598

◆ **Working Principles:**

Use the lever to drive the stem to rotate and the stem drives the ball to open and close within 0°~90°

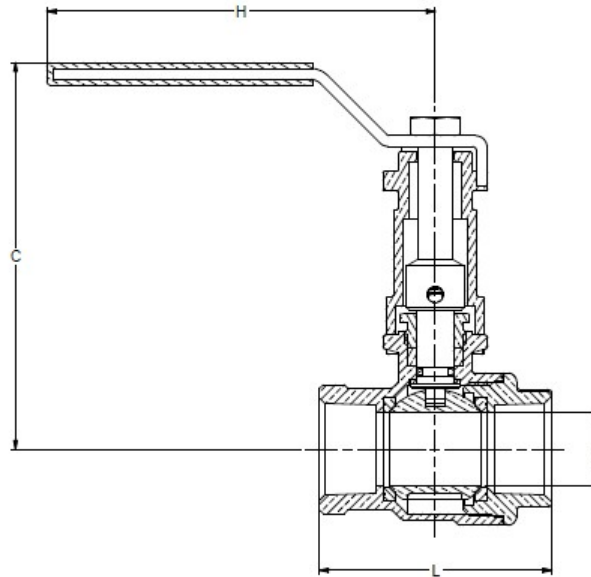
◆ **Installation Dimensions:**

Connection Dimension: AS 3688

◆ **Component Material:**

Body	Adapter	Stem	Ball	Handle Assembly	Seat
Forged Brass	Forged Brass	Brass	Plated Brass	With Vinyl insulator	Virgin PTFE

◆ Size and Dimension:



FBV-3C-AUS-EX

SIZE(DN)		DIMENSIONS						WEIGHT			
<i>in.</i>	<i>mm</i>	C		H		I		L		<i>lbs.</i>	<i>kg</i>
		<i>in.</i>	<i>mm</i>	<i>in.</i>	<i>mm</i>	<i>in.</i>	<i>mm</i>	<i>in.</i>	<i>mm</i>		
1/2	15	3.49	88.74	3.42	86.9	0.50	12.8	2.26	57.4	0.575	0.261
3/4	20	3.95	100.44	3.97	100.9	0.76	19.2	2.70	68.6	0.979	0.444
1	25	4.65	118	4.26	108.2	1.00	25.5	3.23	82.1	1.640	0.744
1 1/4	32	4.83	122.75	4.26	108.2	1.26	31.9	3.33	84.5	2.414	1.095
1 1/2	40	5.30	134.7	5.31	134.9	1.50	38	4.03	102.3	3.269	1.483
2	50	5.66	143.71	6.03	153.2	2.00	50.9	4.94	125.5	4.462	2.024

*Comfort Safety
Conservation Control
Quality*



Order No: WAC021401SHE-1