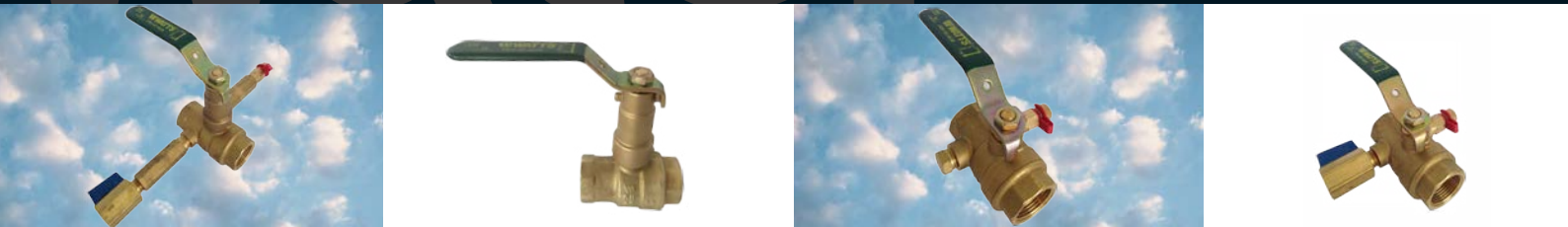


# Water



# Safety

**FBV-3C HVAC Ball Valves**

**WATTS**



## INTRODUCTION

Series FBV-3C-AUS, Full Port, Brass Ball Valves are used in residential commercial and industrial applications for a range of liquids and gases. They feature a bottom-loaded blowout-proof stem, virgin PTFE seats, thrust washer, and adjustable stem packing gland, stem packing nut, chrome plated brass ball, brass adapter, and steel handle.

### ◆ MODEL

FBV-3C-AUS-EX	15mm-50mm with threaded connections and extended spindle
FBV-3C-AUS-TC	15mm-50mm with threaded connections and measure nipple
FBV-3C-AUS-TC&MB	15mm-50mm with threaded connections, measure nipple and mini ball valve
Float FBV-3C-AUS-TC&MB&EX	15mm-50mm with threaded connections, measure nipple, mini ball valve and extended spindle

### ◆ RATINGS

For 15mm to 50mm—41Bar (4100KPa) WOG, non-shock, 10.5 Bar (1050KPa) WSP.

### ◆ FLOW RATE

Size	$\Delta P$ (Pa)	Q(kg/h)
DN15	100	700
DN20	100	1245
DN25	100	2235
DN32	100	3870
DN40	100	6315
DN50	100	10050

### ◆ INSTALLATION INSTRUCTIONS

Series FBV-3C-AUS are used to connect with the corresponding threaded pipe or threaded fitting.

### ◆ APPROVALS

All models in this series are Watermarked

Watermark — Certificate of Conformity — Level 1 Evaluated to ATS 5200.012-2005



## 2-Piece, Full Port, Brass Ball Valves (FBV-3C-AUS-EX)

The FBV-3C-AUS-EX is mainly used to cut off or connect medium in the pipe and can also be used for flow adjustment and control. Includes an extended spindle.

### ◆ Application and Features:

#### Applications:

Building services, municipal waterworks and light industrial.

#### Product Features:

- Watermark approved threaded valves 15mm-50mm
- Fluorocarbon elastomeric stem O-ring prevents stem leaks.
- Adjustable stem packing gland.
- PTFE stem packing seal, thrust washer, and seats.
- Bottom loaded blowout proof stem.
- Machined chrome plated brass ball.
- Valves comply to MSS-SP-110 standard.

### ◆ Working Principles:

Use the lever to drive the stem to rotate and the stem drives the ball to open and close within 0° ~90°

### ◆ Installation Dimensions:

Connection Dimension: AS 3688

### ◆ Component Material:

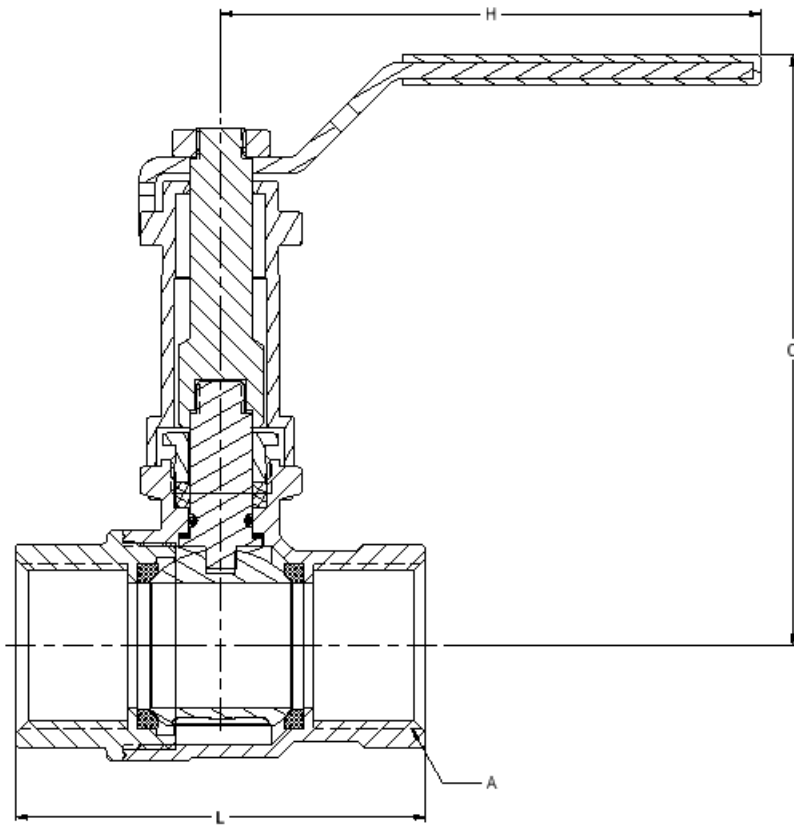
Body	Adapter	Stem	Ball	Handle Assembly	Seat
Forged Brass	Forged Brass	Brass	Plated Brass	With Vinyl insulator	Virgin PTFE



### ◆ Technical Parameters:

Nominal Diameter:	15mm-50mm
Pressure Ratings:	15mm-50mm 41bar(4100KPa) WOG ,Non-shock; 10.5bar (1050KPa) WSP
Temperature Range:	-40°C ~204°C
Test Standard:	API-598

◆ Size and Dimension:



**FBV-3C-AUS-EX**

Size		DIMENSIONS									WEIGHT	
in.	mm	A	C		H		I		L		lbs.	kg
			in.	mm	in.	mm	in.	mm	in.	mm		
1/2	15	G 1/2-14	3.49	88.74	3.42	86.9	0.50	12.8	2.26	57.4	0.575	0.261
3/4	20	G 3/4-14	3.95	100.44	3.97	100.9	0.76	19.2	2.70	68.6	0.979	0.444
1	25	G 1-11	4.65	118	4.26	108.2	1.00	25.5	3.23	82.1	1.640	0.744
1 1/4	32	G 1 1/4-11	4.83	122.75	4.26	108.2	1.26	31.9	3.33	84.5	2.414	1.095
1 1/2	40	G 1 1/2-11	5.30	134.7	5.31	134.9	1.50	38	4.03	102.3	3.269	1.483
2	50	G 2-11	5.66	143.71	6.03	153.2	2.00	50.9	4.94	125.5	4.462	2.024

## 2-Piece, Full Port, Brass Ball Valves (FBV-3C-AUS-TC)

The FBV-3C-AUS-TC is mainly used to cut off or connect medium in the pipe and can also be used for flow adjustment and control. Includes a measure nipple for testing purposes..

### ◆ Application and Features:

#### Applications:

Building services, municipal waterworks and light industrial.

#### Product Features:

- Watermark approved threaded valves 15mm-50mm
- Fluorocarbon elastomeric stem O-ring prevents stem leaks.
- Adjustable stem packing gland.
- PTFE stem packing seal, thrust washer, and seats.
- Bottom loaded blowout proof stem.
- Machined chrome plated brass ball.
- Valves comply to MSS-SP-110 standard.

### ◆ Working Principles:

Use the lever to drive the stem to rotate and the stem drives the ball to open and close within 0° ~90°

### ◆ Installation Dimensions:

Connection Dimension: AS 3688

### ◆ Component Material:

Body	Adapter	Stem	Ball	Handle Assembly	Seat
Forged Brass	Forged Brass	Brass	Plated Brass	With Vinyl insulator	Virgin PTFE



### ◆ Technical Parameters:

Nominal Diameter: 15mm-50mm

Pressure Ratings: 15mm-50mm

41bar (4100KPa)

WOG, Non-shock;

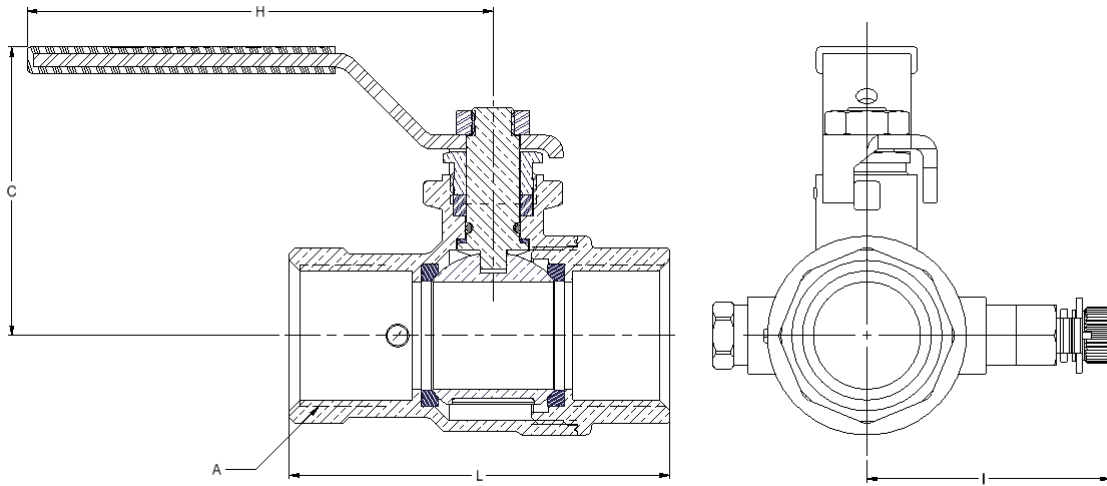
10.5bar(1050KPa)

WSPFloat

Temperature Range: -40°C ~204°C

Test Standard: API-598

◆ Size and Dimension:



**FBV-3C-AUS-TC**

Size		A	DIMENSIONS							
in.	mm		C		H		I		L	
			in.	mm	in.	mm	in.	mm	in.	mm
1/2	15	G 1/2-14	1.82	46.2	3.42	86.9	1.97	50	2.42	61.5
3/4	20	G 3/4-14	2.28	57.9	3.97	100.9	2.07	52.7	2.87	72.9
1	25	G 1-11	2.64	67.1	4.26	108.2	2.23	56.6	3.39	86.2
1 1/4	32	G 1 1/4-11	2.83	71.8	4.26	108.2	2.36	59.95	3.49	88.6
1 1/2	40	G 1 1/2-11	3.16	80.2	5.31	134.9	2.55	64.8	4.19	106.4
2	50	G 2-11	3.52	89.4	6.03	153.2	2.82	71.7	5.1	129.6

## 2-Piece, Full Port, Brass Ball Valves (FBV-3C-AUS-TC&MB)

The FBV-3C-AUS-TC&MB is mainly used to cut off or connect medium in the pipe and can also be used for flow adjustment and control. Includes measure nipple and mini ball valve.

### ◆ Application and Features:

#### Applications:

Building services, municipal waterworks and light industrial.

#### Product Features:

- Watermark approved threaded valves 15mm-50mm
- Fluorocarbon elastomeric stem O-ring prevents stem leaks.
- Adjustable stem packing gland.
- PTFE stem packing seal, thrust washer, and seats.
- Bottom loaded blowout proof stem.
- Machined chrome plated brass ball.
- Valves comply to MSS-SP-110 standard.

### ◆ Working Principles:

Use the lever to drive the stem to rotate and the stem drives the ball to open and close within 0° ~90°

### ◆ Installation Dimensions:

Connection Dimension: AS 3688

### ◆ Component Material:

Body	Adapter	Stem	Ball	Handle Assembly	Seat
Forged Brass	Forged Brass	Brass	Plated Brass	With Vinyl insulator	Virgin PTFE

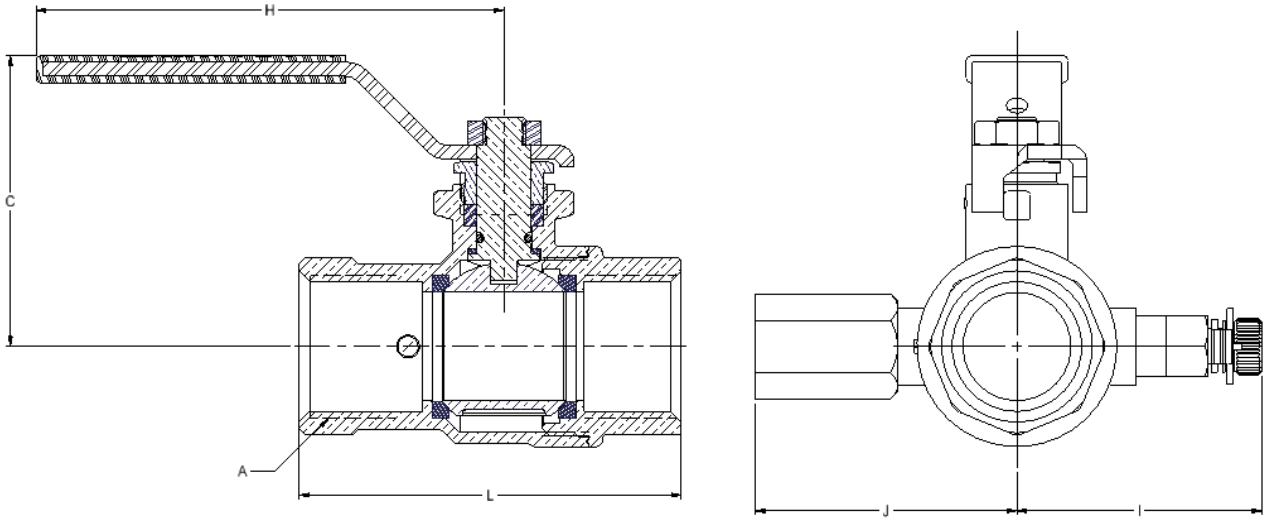


### ◆ Technical Parameters:

Nominal Diameter:	15mm-50mm
Pressure Ratings:	15mm-50mm 41bar(4100KPa) WOG ,Non-shock; 10.5bar (1050KPa) WSP
Temperature Range:	-40°C ~204°C
Test Standard:	API-598



◆ Size and Dimension:



**FBV-3C-AUS-TC&MB**

Size		DIMENSIONS										
in.	mm	A	C		H		I		L		J	
			in.	mm	in.	mm	in.	mm	in.	mm	in.	mm
1/2	15	G 1/2-14	1.82	46.2	3.42	86.9	1.97	50	2.42	61.5	2.13	54
3/4	20	G 3/4-14	2.28	57.9	3.97	100.9	2.07	52.7	2.87	72.9	2.23	56.7
1	25	G 1-11	2.64	67.1	4.26	108.2	2.23	56.6	3.39	86.2	2.39	60.6
1 1/4	32	G 1 1/4-11	2.83	71.8	4.26	108.2	2.36	59.95	3.49	88.6	2.52	64
1 1/2	40	G 1 1/2-11	3.16	80.2	5.31	134.9	2.55	64.8	4.19	106.4	2.71	68.8
2	50	G 2-11	3.52	89.4	6.03	153.2	2.82	71.7	5.1	129.6	2.98	75.7

## 2-Piece, Full Port, Brass Ball Valves (FBV-3C-AUS-TC&MB&EX)

The FBV-3C-AUS-TC&MB-EX is mainly used to cut off or connect medium in the pipe and can also be used for flow adjustment and control. Includes extended measure nipple and mini ball valve with an extended spindle.

### ◆ Application and Features:

#### Applications:

Building services, municipal waterworks and light industrial.

#### Product Features:

- Watermark approved threaded valves 15mm-50mm
- Fluorocarbon elastomeric stem O-ring prevents stem leaks.
- Adjustable stem packing gland.
- PTFE stem packing seal, thrust washer, and seats.
- Bottom loaded blowout proof stem.
- Machined chrome plated brass ball.
- Valves comply to MSS-SP-110 standard.

### ◆ Working Principles:

Use the lever to drive the stem to rotate and the stem drives the ball to open and close within 0° ~90°

### ◆ Installation Dimensions:

Connection Dimension: AS 3688

### ◆ Component Material:

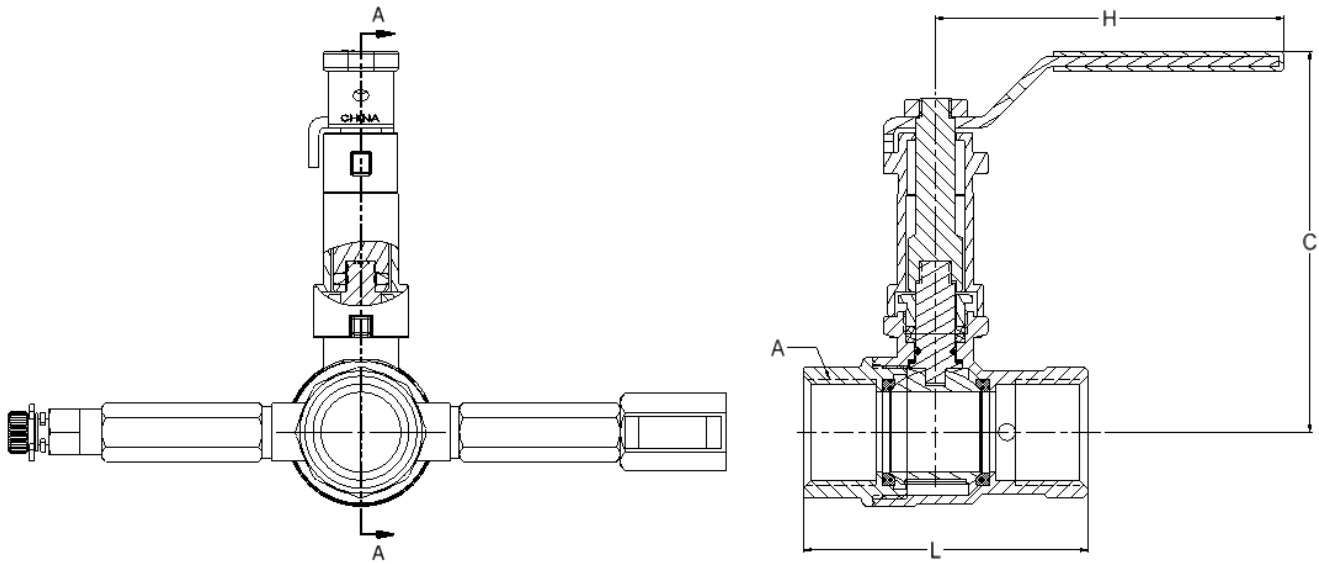
Body	Adapter	Stem	Ball	Handle Assembly	Seat
Forged Brass	Forged Brass	Brass	Plated Brass	With Vinyl insulator	Virgin PTFE



### ◆ Technical Parameters:

Nominal Diameter:	15mm-50mm
Pressure Ratings:	15mm-50mm 41bar(4100KPa) WOG ,Non-shock; 10.5bar (1050KPa) WSP
Temperature Range:	-40°C ~204°C
Test Standard:	API-598

◆ Size and Dimension:



**FBV-3C-AUS-TC&MB&EX**

Size		DIMENSIONS										
in.	mm	A	C		H		I		L		J	
			in.	mm	in.	mm	in.	mm	in.	mm	in.	mm
1/2	15	G 1/2-14	3.49	88.74	3.42	86.9	1.97	105	2.42	61.5	2.13	109
3/4	20	G 3/4-14	3.95	100.44	3.97	100.9	2.07	107.7	2.87	72.9	2.23	111.7
1	25	G 1-11	4.65	118	4.26	108.2	2.23	111.6	3.39	86.2	2.39	115.6
1 1/4	32	G 1 1/4-11	4.83	122.75	4.26	108.2	2.36	115	3.49	88.6	2.52	119
1 1/2	40	G 1 1/2-11	5.30	134.7	5.31	134.9	2.55	119.8	4.19	106.4	2.71	123.8
2	50	G 2-11	5.66	143.71	6.03	153.2	2.82	126.7	5.1	129.6	2.98	130.7

## **Watts Water Technologies (Aust) P/L**

Unit 3, 35 Dunlop Road, Mulgrave, Victoria, 3170, Australia

Matt, Elliott

email: [matthew.elliott@wattswater.com](mailto:matthew.elliott@wattswater.com)

Mark, Grey

email: [mark.grey@wattswater.com](mailto:mark.grey@wattswater.com)

[www.wattswater.com.au](http://www.wattswater.com.au)



Order No. : W-AUS-HVHC1707SHE-1