

## Series W-DPBV-16/25Q

### Differential Pressure Balancing Valve

#### Size: DN65-DN150

The Series W-DPBV differential pressure-balancing valve is designed to keep constant differential pressure between supply pipes and return pipes of a bypass, control valve or terminal equipment in air-conditioning or heating system. It avoids hydraulic disturbances resulting from variations in system differential pressure.

#### Features

- Self-acting differential pressure control, no external power needed
- The on-site setting of differential pressure
- Wide controllable range of differential pressure
- Handwheel equipped with differential pressure indicator
- Able to be shut off by handwheel
- Self-sealing measuring points to protect against leakage
- Equipped with measuring points and air vent
- Equipped with three-way measuring connector
- High-pressure guide tube with a small ball valve, eliminate general congestion

#### Pressure-Temperature

- Maximum Pressure: PN16、PN25
- Working Pressure: 400Kpa
- Temperature Range: -10°C~130°C

#### Test Pressures

PN16 Hydraulic	PN25 Hydraulic
Shell 24 bar	Shell 37.5 bar

#### Material

No.	Component	Material
1	Body	Ductile Iron
2	Seat	Stainless Steel (SS304)
3	Core	Stainless Steel (SS304)
4	Measuring Points	CW602N
5	Diaphragm	HNBR
6	Stem	Stainless Steel (SS304)
7	Spring	Stainless Steel (SS304)
8	Sealing	EPDM/FKM
9	Pressure Pipe	T2M
10	Handwheel	PA66

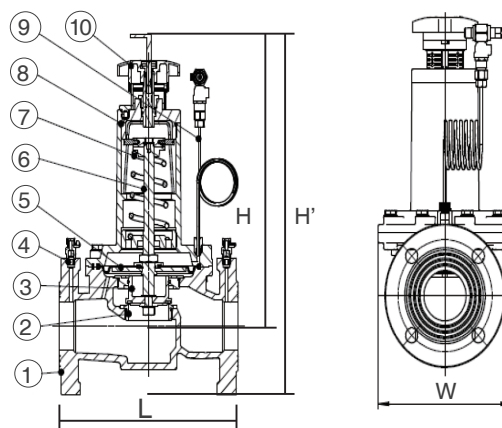
#### Installation Dimensions

Size	L (mm)	H (mm)	H' (mm)	W (mm)	Weight (kg)
DN65	290	360	453	205	26.5
DN80	310	392	492	225	33.5
DN100	350	470	581	255	47
DN125	400	519	644	293	69.5
DN150	480	592	735	371	102

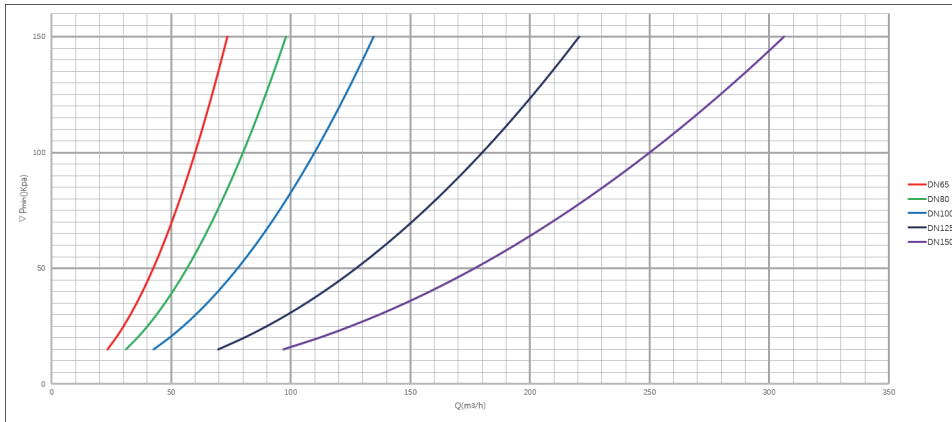


#### Specification

- Connection Standard: ISO7005
- Control Deviation: ±8%
- Patent No: ZL 2016 2 0992099.2
- Medium: cold and hot water/ethylene glycol



## Characteristic Curves



## Models

Type	Size	$\Delta P$ Control (Kpa)	KVs	EDP Code
W-DPBV065S-16Q	DN65	20-80	60	61985801
W-DPBV080S-16Q	DN80		80	61985803
W-DPBV100S-16Q	DN100		110	61985805
W-DPBV125S-16Q	DN125		180	61985807
W-DPBV150S-16Q	DN150		250	61985809
W-DPBV065L-16Q	DN65	40-150	60	61985802
W-DPBV080L-16Q	DN80		80	61985804
W-DPBV100L-16Q	DN100		110	61985806
W-DPBV125L-16Q	DN125		180	61985808
W-DPBV150L-16Q	DN150		250	61985810
W-DPBV065S-25Q	DN65	20-80	60	61985981
W-DPBV080S-25Q	DN80		80	61985983
W-DPBV100S-25Q	DN100		110	61985985
W-DPBV125S-25Q	DN125		180	61985987
W-DPBV150S-25Q	DN150		250	61985989
W-DPBV065L-25Q	DN65	40-150	60	61985982
W-DPBV080L-25Q	DN80		80	61985984
W-DPBV100L-25Q	DN100		110	61985986
W-DPBV125L-25Q	DN125		180	61985988
W-DPBV150L-25Q	DN150		250	61985990

## $\Delta P$ Setting Instruction

Turns	DN65		DN80		DN100		DN125		DN150	
	20-80Kpa	40-150Kpa	20-80Kpa	40-150Kpa	20-80Kpa	40-150Kpa	20-80Kpa	40-150Kpa	20-80Kpa	40-150Kpa
0	20	40	22	44	22	40	21	42	24	41
1	24	46	25	50	26	46	26	48	32	48
2	30	54	30	56	30	54	30	55	37	53
3	35	62	36	62	34	62	34	64	41	59
4	40	70	42	70	38	70	38	67	43	64
5	45	78	48	78	42	77	45	75	48	70
6	50	86	52	87	46	85	48	84	53	78
7	56	96	58	96	50	94	51	93	58	86
8	62	108	65	106	55	105	61	100	59	94
9	68	120	72	118	60	118	64	106	63	102
10	74	134	80	136	66	126	71	116	66	111
11	80	150	88	154	72	138	76	124	70	123
12					79	145	80	135	78	135
13					85	156	85	157	82	146