

Series W-DPBV-16/25T(DN25-DN50)

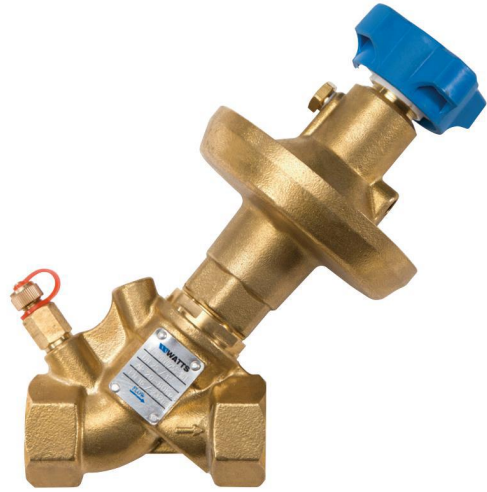
Differential Pressure Balancing Valve

◆ Application

The Series W-DPBV Differential Pressure Balancing Valve is designed to keep constant differential pressure across the supply pipes and return pipes, control valve or terminal unit in air-conditioning or heating system. It avoids hydraulic disturbances resulting from variations in system differential pressure.

◆ Features

- Self-acting differential pressure control, no external power needed
- On-site setting of differential pressure
- Wide controllable range of differential pressure
- Handwheel equipped with differential pressure indicator
- Able to be shut off by handwheel
- Self-sealing measuring points to protect against leakage
- Equipped with measuring points and air vent
- Equipped with three-way measuring connector



◆ Operating Principles

When the network's differential pressure increases, the Differential Pressure Balancing Valve will diminish its opening automatically. This counteracts the increased value, ensuring constant differential pressure.

◆ Technical Specification

Dimensions:	DN25-DN50
Working Temperature:	-10~120°C
Working Pressure:	PN16/PN25
Fluid Medium:	Cold and Hot Water / Ethylene Glycol
Connection:	Threaded Connection
Connection Standard:	ISO7/1
Control Deviation:	±25%
Working Pressure:	≤ 300KPa

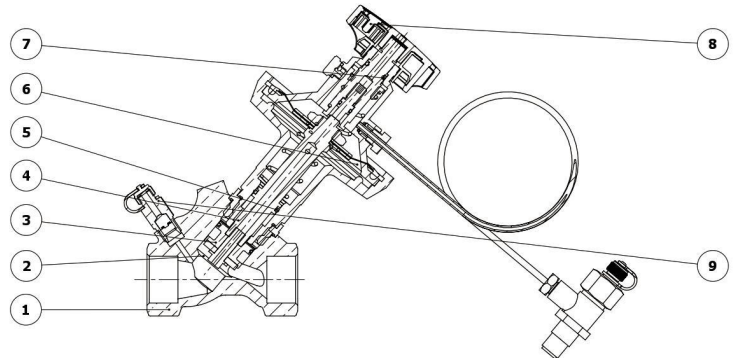
Materials:

① Valve Body:	Brass
② Valve Seat:	Brass
③ Valve Core:	Brass
④ Valve Stem:	Brass
⑤ Spring:	Stainless Steel
⑥ Membrane:	EPDM
⑦ Sealing:	FPM
⑧ Handwheel:	PA
⑨ Measuring Points:	Stainless Steel

◆ Technical Parameters

Product Type and Working Range:

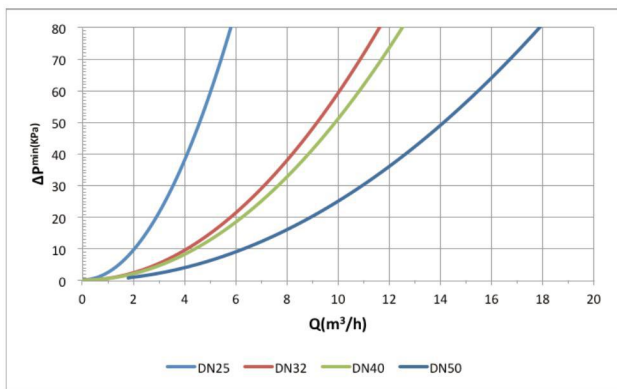
Type	Size	ΔP Control (KPa)	Kvs	EDP Code
W-DPBV025S-16T	DN25	5-30	6.5	616P2303
W-DPBV032S-16T	DN32		13	616P2305
W-DPBV040S-16T	DN40		14	616P2307
W-DPBV050S-16T	DN50	25-70	20	616P2309
W-DPBV025L-16T	DN25		6.5	616P2304
W-DPBV032L-16T	DN32		13	616P2306
W-DPBV040L-16T	DN40		14	616P2308
W-DPBV050L-16T	DN50		20	616P2310



Coding Rules:

W	WATTS	W- DPBV 025 S- 16 T
DPBV	Differential Pressure Balancing Valve	
Size		
025-DN25	032-DN32	
040-DN40	050-DN50	
ΔP Range		
S – Small Range	L – Large Range	
Pressure Class		
PN16	PN25	
Body Material	Brass	

ΔP – Flow Charts:



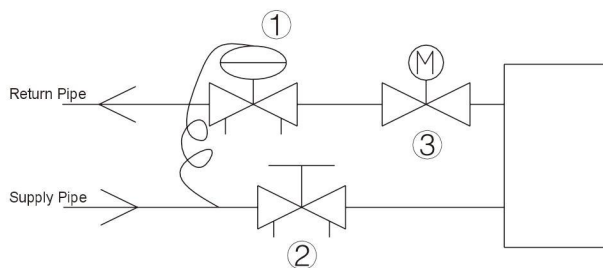
◆ Installation

The Differential Pressure Balancing Valve can work with a Static Balancing Valve or work alone. When combined with a Static Balancing Valve, it should be installed on the return pipe, while the Static Balancing Valve should be installed on the supply pipe.

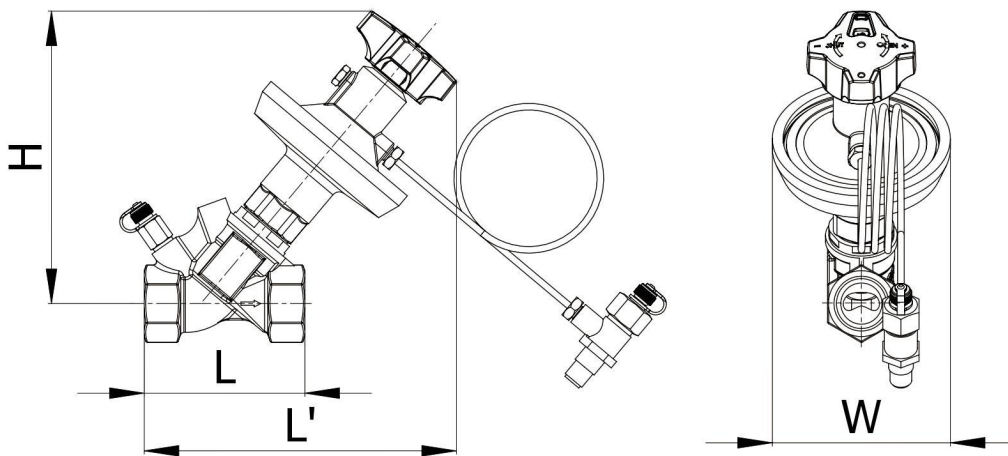
- ① Differential Pressure Balancing Valve
- ② Static Balancing Valve
- ③ Electric Control Valve

ΔP Setting Instruction:

Turns	DN25-DN50	
	5~30kPa	25~70kPa
0	5	/
1	10	25
2	20	30
3	30	50
4	/	70



Installation Dimensions:



Size	L(mm)	L'(mm)	H(mm)	W(mm)	Weight(Kg)
DN25	98	192	177	108	2.8
DN32	110	200	185	108	3.2
DN40	120	207	192	108	3.7
DN50	150	225	205	108	4.5