

For Health Hazard and Continuous Pressure Applications

Job Name _____
 Job Location _____
 Engineer _____
 Approval _____

Contractor _____
 Approval _____
 Contractor's P.O. No. _____
 Representative _____

LEAD FREE*

Series LF008PCQT
 Health Hazard, Anti-Siphon,
 Spill-Resistant Backflow Preventer

Sizes: 3/8", 1/2", 3/4" and 1"

Series LF008PCQT is designed for indoor point-of-use applications to prevent backsiphonage of contaminated water back into the potable water supply. Separation of the water supply from the air inlet is accomplished by means of a diaphragm seal. This feature protects against any spillage during start-up or operation. The LF008PCQT features Lead Free* construction to comply with Lead Free* installation requirements.

Features

- Standardly supplied with internal polymer coating
- Standardly supplied with Tee handles
- Available less Tee handle with stem wrench flats. For use where space is limited
- Available in left-handed or right-handed outlet
- Spill-resistant design for indoor use
- Affordable design
- Modular cartridge for ease of service
- Vent uses an O-ring for reliable operation
- Lead Free* cast copper silicon alloy body for durability
- Compact space saving design
- Satin chrome finish available

Installation

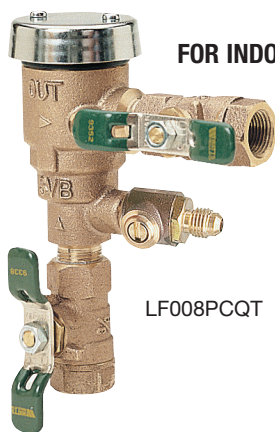
The LF008PCQT is designed to be installed at the point-of-use. When factory installed deck/machine mounted on machines or equipment, the critical level of the LF008PCQT shall be not less than 1" (25mm) above the flood rim. If field applied for general plumbing applications, the critical level of the LF008PCQT shall be a minimum of 6" (150mm) above the flood rim.

Specifications

A spill-resistant vacuum breaker (SVB) shall be installed, in accordance with the manufacturer's instructions, as noted on the plans. The valve shall consist of a one-piece modular check and float assembly made of engineered thermoplastic and housed in a Lead Free* cast copper silicon alloy body. Springs shall be stainless steel. The Health Hazard, Anti-Siphon, Spill Resistant Backflow Preventer shall be constructed using Lead Free* materials. Lead Free* Health Hazard, Anti-Siphon, Spill Resistant Backflow Preventer shall comply with state codes and standards, where applicable, requiring reduced lead content. The valve shall be constructed with a molded diaphragm separating the air inlet from the potable water supply to prevent spillage. The valve shall be a Watts Series LF008PCQT.

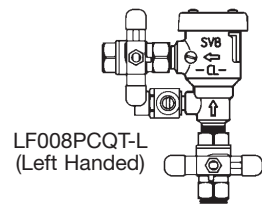
***The wetted surface of this product contacted by consumable water contains less than 0.25% of lead by weight.**

Watts product specifications in U.S. customary units and metric are approximate and are provided for reference only. For precise measurements, please contact Watts Technical Service. Watts reserves the right to change or modify product design, construction, specifications, or materials without prior notice and without incurring any obligation to make such changes and modifications on Watts products previously or subsequently sold.

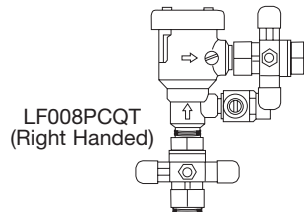


FOR INDOOR USE!

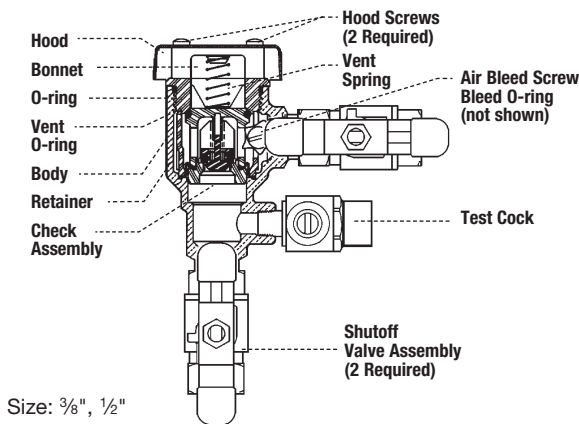
LF008PCQT



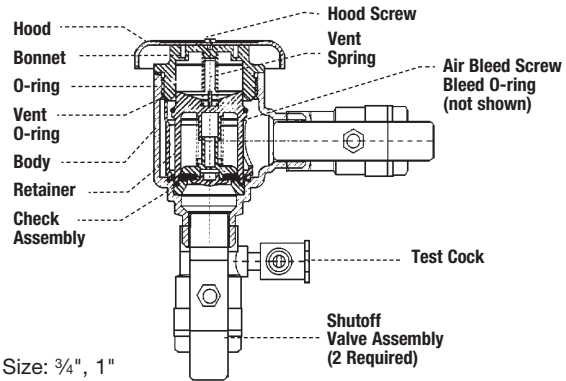
LF008PCQT-L
(Left Handed)



LF008PCQT
(Right Handed)



Size: 3/8", 1/2"



Size: 3/4", 1"

NOTICE

The information contained herein is not intended to replace the full product installation and safety information available or the experience of a trained product installer. You are required to thoroughly read all installation instructions and product safety information before beginning the installation of this product.

NOTICE

Inquire with governing authorities for local installation requirements



Materials

Springs: Stainless steel
 Bonnet: PPO
 Vent Disc: EPDM
 Disc Holder: PPO
 Check Disc: Silicone rubber
 Body: Lead Free* cast copper silicon alloy

Pressure – Temperature

Temperature Range: 33°F – 180°F (0.5°C – 83°C)
 Maximum Working Pressure: 150psi (10.3 bar)

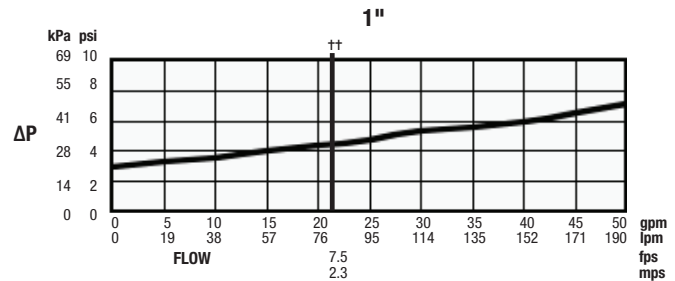
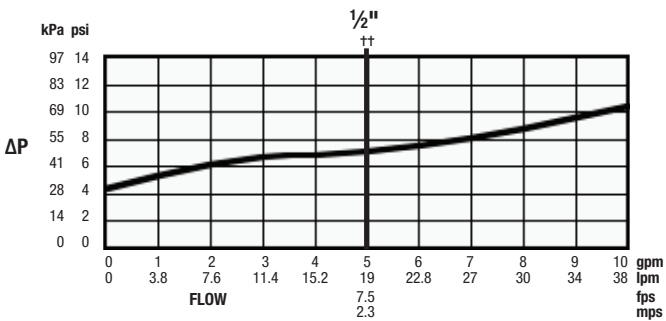
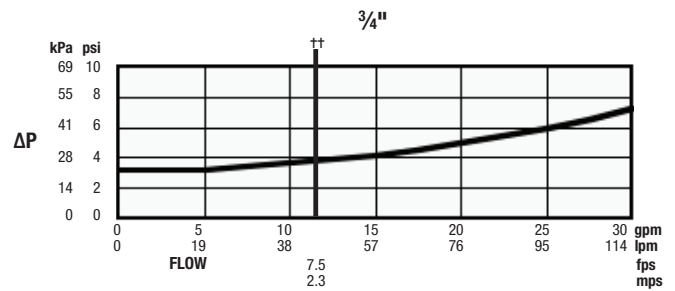
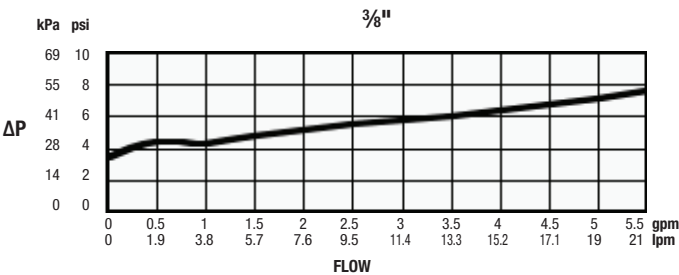
End Connections

Female NPT: Ball Valve shutoffs

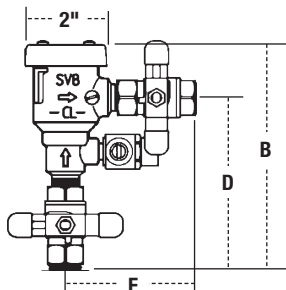
Capacity

As compiled from documented Foundation for Cross-Connection Control and Hydraulic Research at the University of Southern California lab tests.

††Typical maximum system flow rate (7.5 feet/sec.)



Dimensions – Weights



NOTICE

A strainer is recommended to be installed ahead of the backflow preventer to prevent the fouling of the check assembly and resulting spillage from the valve during repressurization. Do not install in concealed locations or areas where water leakage due to normal wear of the internal parts can cause damage.

LF008PCQT

SIZE	B		D		E		WEIGHT	
	in.	mm	in.	mm	in.	mm	lbs.	kgs
3/8	5 1/2	140	3 15/16	100	3 1/8	79	1.6	.73
1/2	5 3/4	146	4 3/16	106	3 3/8	86	1.7	.77
3/4	7	178	4 5/8	117	4 1/2	114	3.8	1.72
1	7 1/2	191	5 1/8	130	4 7/8	124	4.8	2.18

Standards

Meets requirements of IAPMO.



Typical Installation

